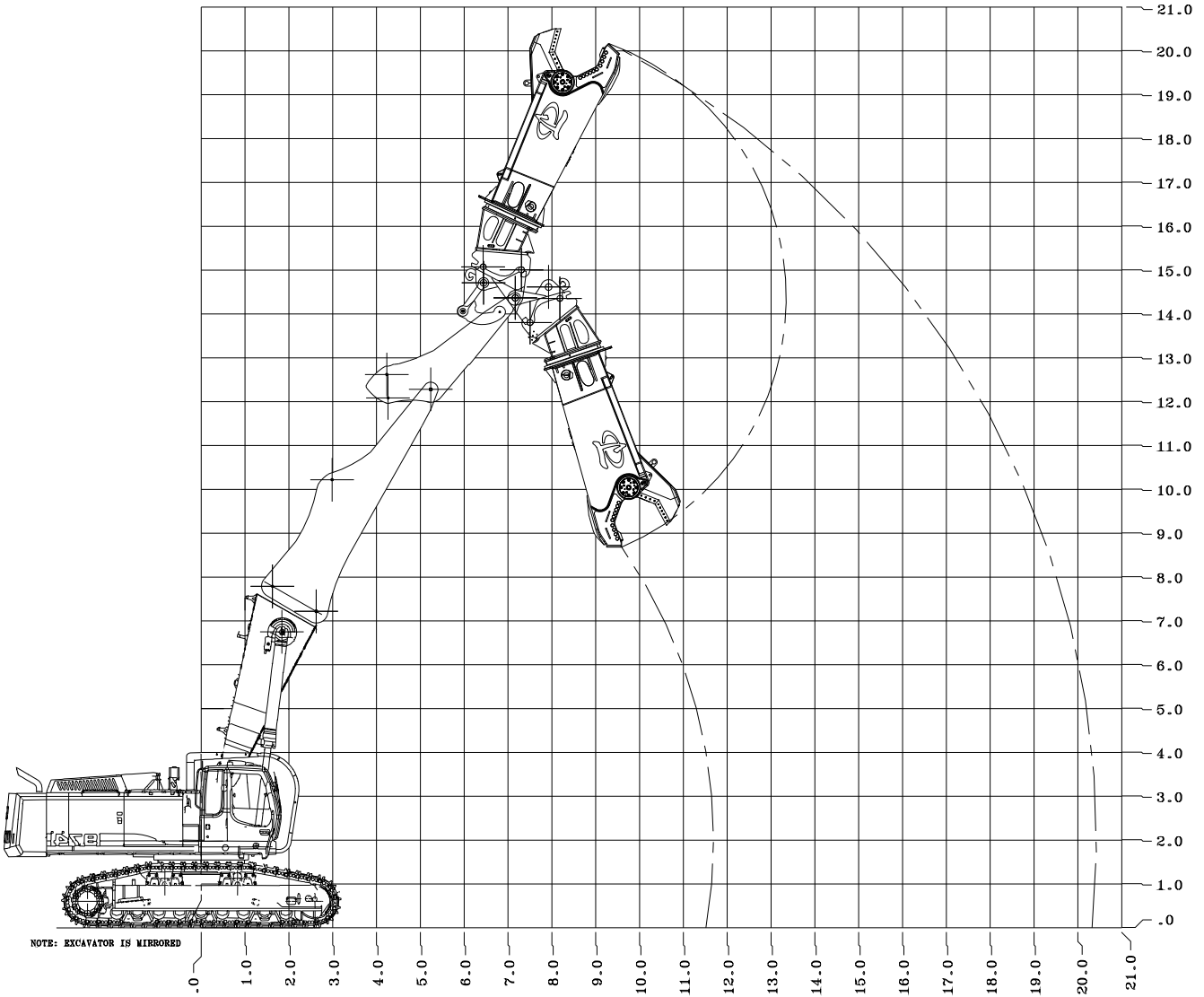


COMPANY CONFIDENTIAL: INFORMATION HEREIN IS PROPRIETARY INFORMATION OF STANLEY HYDRAULIC TOOLS - LABOUNTY. ANY USE, DISCLOSURE OR DUPLICATION THEREOF IS PROHIBITED UNLESS AUTHORIZED.



NOTE: EXCAVATOR IS MIRRORED

LIEBHERR R974B DEMO CUSTOM SPEC  
2 PIECE BOOM MOUNTED ON A MSD 7500R WITH A 3RD MEMBER MOUNT  
RANGE OF MOTION IS APPROXIMATE ONLY

NOTE: LIFT FOR THIS COMBINATION IS UNKNOWN AS IT IS A CUSTOM MACHINE. LIEBHERR TO CERTIFY THE LIFT BEFORE ANY ORDER IS ACCEPTED.

DRWG NO: SK\_02351\_V2  
DRWN BY: KJM\_5/21/19