

ZAXIS-6 series

HITACHI

Reliable solutions

ZAXIS490



HYDRAULIC EXCAVATOR

Model code : ZX490LCH-6

Engine rated power : 270kW (ISO14396/ISO9249)

Operating weight : 49 300 – 51 200 kg

Bucket ISO heaped : 1.30 – 2.50 m³

ZX490LCH-6. NO COMPROMISE

The ZX490LCH-6 has been created to offer the highest level of performance, but without compromising on the increasing demand for operational efficiency. Incorporating innovative and unique Hitachi technology, it delivers lower emissions and running costs, while offering higher levels of reliability.

The large Zaxis-6 excavators reinforce Hitachi's reputation for the quality of its engineering and the durability of its products. The ZX490LCH-6 is the epitome of reliability, with incredibly versatile features that highlight its suitability for a variety of challenging working environments.



6. FIRST FOR RELIABILITY



8. EXCEPTIONAL DURABILITY



10. VERSATILITY ON A LARGE SCALE



12. UNQUESTIONABLE QUALITY



14. EXPERTS IN TECHNOLOGY

DEMAND PERFECTION

The Hitachi ZX490LCH-6 is the result of continuous development over decades at the world's biggest excavator factory in Japan. Designed for the demands of the European construction and quarrying industries, it has been developed to perfection using market-leading technology to deliver exceptional productivity at the lowest possible cost of ownership.



High quality
The best design elements and materials.



Improved visibility
Larger reflector enhances night-time visibility.



Ultimate durability
Boom reinforced with thicker plates.



Lifetime reliability
Failsafe components protect against extreme temperatures.





Optimum performance
Remote monitoring with Global e-Service online application.



User-friendly
Engine oil and coolant levels can be checked from the cab.



Safe workspace
A non-slip plate ensures long-term safety on deck.



Low emissions
SCR system reduces NOx from exhaust gas.



Reduced fuel costs
5% fuel saving in ECO mode (3% in HP mode).



Easy maintenance
Reversible fan reduces debris build-up.



Smaller environmental impact
95% of resin parts can be recycled.



Excellent efficiency
HIOS IIIB hydraulic system reduces fuel consumption and increases productivity.



Engine protection
Several engine parts have been changed to enhance reliability.



“ *Hitachi machines have a reputation for reliability and are also highly productive* ”

Michel Krembs, Quarry Manager, Carrières GW

FIRST FOR RELIABILITY

All Hitachi excavators are renowned for their reliability and the ZX490LCH-6 is no different. It can be relied upon to deliver high levels of productivity and optimum availability on large-scale construction projects and in busy quarries, ensuring a profitable return on investment.

Enhanced engine protection

A strengthened new injector increases the reliability of the engine. The sliding portion is coated with DLC (diamond-like carbon) and it has a strengthened inlet filter. A stronger blow-by hose also enhances reliability.

Improved fuel efficiency

A high-volume cooled EGR system recirculates some of the exhaust gas, reducing NOx and other pollutant emissions while maintaining a high engine output. This enables an efficient and reliable performance.

Efficient cooling

The expansion tank is mounted on top of the engine's cooling circuit, allowing the air inside the coolant to be completely

removed. This helps to prevent engine parts from partially heating up.

Reduced fuel contamination

The main fuel filter screws into place on the ZX490LCH-6. This ensures that dust is prevented from entering the fuel circuit during routine maintenance procedures. It is also easily replaced.

Easy maintenance

To avoid electrical accidents during maintenance and to retain battery energy during long-term storage, a battery disconnect switch is now included as standard. Safe and easy maintenance has an impact on the overall reliability of the ZX490LCH-6.



Easy access for maintenance.



HITACHI



The main fuel filter is easier to replace.



The expansion tank prevents engine parts from overheating.



Reinforced boom and front attachment.



Improved performance derived from the fuel circuit.

i Hitachi's stringent testing procedures for durability include an excavating and operating assessment – from 1,000 to more than 10,000 hours – and a 24-hour swing test with a remote-controlled machine.



EXCEPTIONAL DURABILITY

The ZX490LCH-6 lives up to Hitachi's reputation for making the most durable machines in the industry. Built using four decades of experience in manufacturing mechanical and hydraulic excavators, it has been designed to excel in the most challenging working environments.



Less filter cleaning is required thanks to the optional pre-cleaner.

Enhanced fuel circuit

A high-performance water separator is integrated into the pre-filter of the ZX490LCH-6 for added protection against moisture.

25mm instead of 22mm. This increases the machine's durability for demanding construction sites and quarries.

Minimal maintenance

An optional pre-cleaner ensures that dust is discharged automatically, reducing the frequency of filter cleaning. The diesel oxidation catalyst (DOC) also requires little maintenance.

Corrosion prevention

The radiator, oil cooler, inter cooler, air condenser and fuel cooler are all made of aluminium, which helps to protect these durable components against corrosion.

Reinforced boom

The boom of the ZX490LCH-6 has been reinforced with thicker plates. The upper plate of the H boom for example is now

Durable undercarriage

The undercarriage of the ZX490LCH-6 consists of durable components, including the track link, master pin, idler pedestal and bracket, and upper roller bracket.



“ *The strength and productivity of our Hitachi machine has been impressive* ”

Yvan Ryser, General Manager, Lachat

VERSATILITY ON A LARGE SCALE

The power and performance of the ZX490LCH-6 makes it ideal for demanding working environments such as quarries and extensive construction projects. Used with different attachments, and suitable for both heavy loading and lighter operations such as grading, it offers increased versatility. Whatever the task, the Hitachi large excavator works quickly and efficiently to ensure high productivity.

Better visibility

The optional front guard of the cab has smaller and fewer bars in order to minimise blind spots. A larger reflector on the back of the ZX490LCH-6 improves the machine's visibility in low light or at night, so it can work safely for longer periods of time.

Impressive performance

The boom raise speed of the ZX490LCH-6 when loading has increased by 3% (compared with the ZX470LCH-3 model), which boosts productivity. The boom mode switch can be selected for power or comfort, depending on the task at hand.

Efficient operation

Maximum pump flow of the ZX490LCH-6 has increased by 10% over the Zaxis-3 model. This means the machine completes

lighter operations such as grading quickly and efficiently, highlighting its versatility for a variety of tasks on the job site.

Easier to transport

Thanks to its flexibility, the ZX490LCH-6 is suitable for working on various sites and can be transported securely due to the new tie-down hooks incorporated into its design.

Greater flexibility

The attachment replacement support system allows for the easy fitment of attachments, which increase the number of tasks that can be carried out by the ZX490LCH-6. A pressure adjustment feature controlled electronically also protects the attachments during installation.



More versatility with the easy fitment of attachments.



Easy and secure transportation with the new tie-down hooks.



Minimal blind spots improve visibility.



Superior weather resistance maintains the cab's internal appearance.



Urea is injected into the exhaust gas to reduce emissions.



i Hitachi obtained ISO 9001 certification in 1995, which verifies its commitment to quality assurance policies, including the implementation of the uniform 'Made by Hitachi' global quality standard at its production bases worldwide.



UNQUESTIONABLE QUALITY

Continuous development of the Zaxis large excavators has ensured that Hitachi machines keep pace with the latest emissions regulations, and also set new industry standards in terms of performance, reliability, comfort and safety. The ZX490LCH-6 highlights what can be achieved by Hitachi design engineers in their constant quest for quality.



Ergonomic controls contribute to the ultimate workspace.

Reduced emissions

A selective catalytic reduction (SCR) system developed by Hitachi injects urea into exhaust gas to reduce NOx from emissions. This invaluable innovation not only helps the environment, but also complies with EU Stage IV emission regulations.

Superior cooling

New high-quality sealant around the cooling package and acoustic materials on the upper structure prevent deterioration caused by heat. This ensures the long-term cooling and low-noise performance of the ZX490LCH-6.

Safety at work

The cab complies with TOPS and ROPS (tip-over and roll-over protective structure) and CRES V (centre pillar reinforced structure) safety regulations. It is pressurised to

suppress the penetration of air and dust from the job site. The ZX490LCH-6 is also quieter during operation than the Zaxis-5 model.

Comfort

The interior of the spacious cab has been designed with comfort in mind. Features include a fully adjustable seat, ergonomic controls and a drinks holder that maintains the temperature of drinks using warm or cooled air from the air conditioning system.

Excellent weather resistance

The console in the cab has been made of durable AES-grade resin, which is resistant to colour changes caused by ultraviolet rays. This maintains the pristine appearance of the cab's interior for a longer period of time.



“ *The Hitachi large excavator is fast and precise thanks to the simplicity and efficiency of the hydraulic system* ”

Boleslaw Gazda, operator, DSS Group



The HIOS IIIB hydraulic system consists of electrically controlled pumps and valves.

EXPERTS IN TECHNOLOGY

The unique advanced technology incorporated in Hitachi large excavators enables them to excel in challenging working environments, such as quarries and complex construction sites. The Zaxis-6 range benefits from the latest developments by Hitachi engineers, and as a result, the ZX490LCH-6 leads the field in its class throughout the European market.

Saving fuel and costs

The HIOS IIIB hydraulic technology developed by Hitachi uses two pumps and control valves to reduce fuel consumption and cut costs. The ZX490LCH-6 can save up to 5% fuel in ECO mode (3% in HP), with the same productivity as the Zaxis-5 model.

Fast operation

HIOS IIIB has a positive impact on productivity due to the efficient swing, boom lowering, arm and bucket roll-out of the ZX490LCH-6. The front speed during

a single operation benefits from increased pump flow and reduced pressure loss of the hydraulic circuit.

Remote monitoring

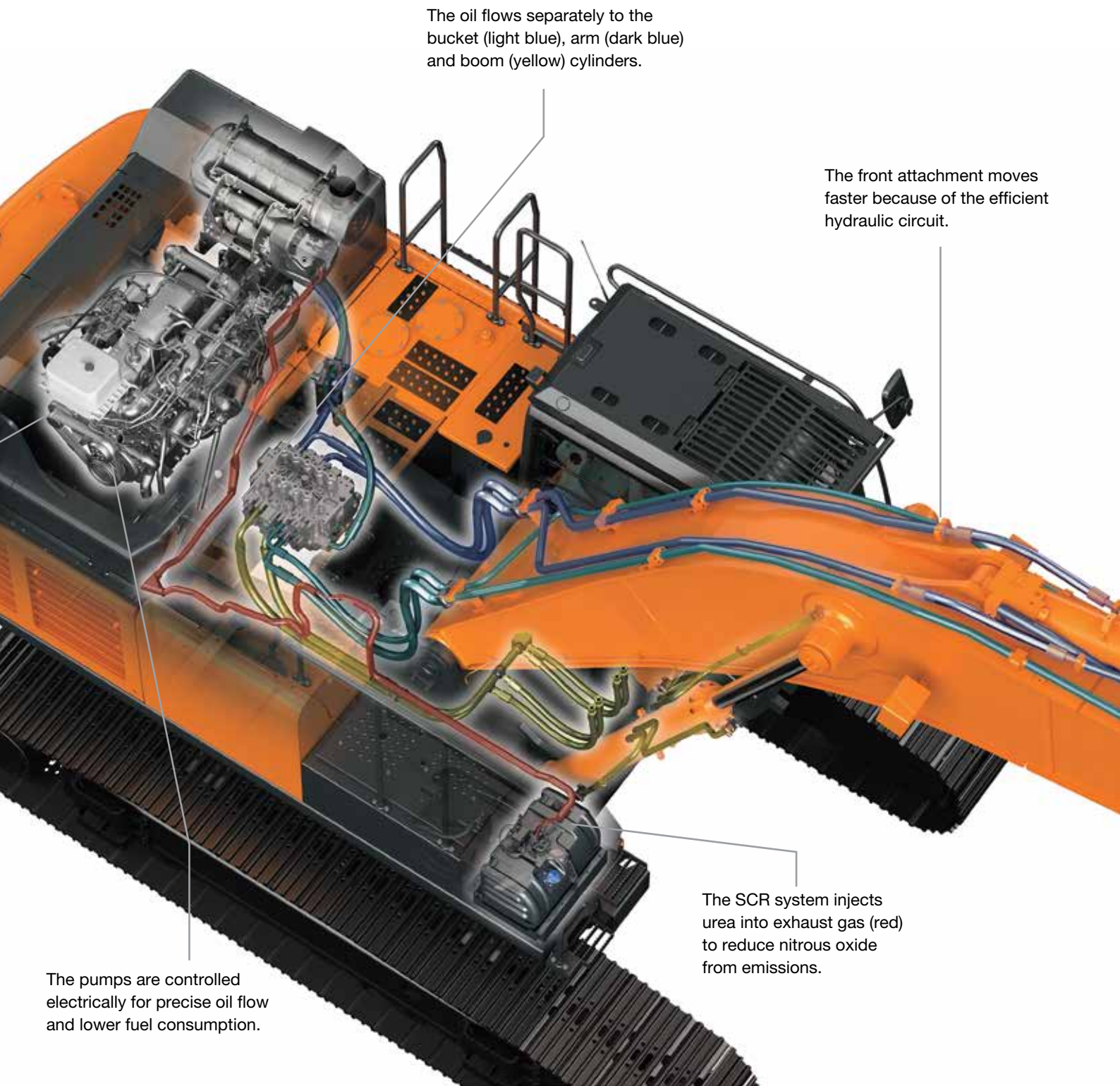
Global e-Service allows owners to monitor their ZX490LCH-6 remotely via Owner's Site (24/7 online access) and ConSite (an automatic monthly report). These help to maximise efficiency, minimise downtime and improve overall performance.

Fewer emissions

The after-treatment device helps to reduce emissions and noise levels. This advanced technology consists of a diesel oxidation catalyst (DOC), urea mixing pipe, SCR system and silencer.

Convenient updates

Operators can check the machine's status and settings – including engine oil and coolant levels – conveniently on the seven-inch multi-function LCD monitor. Multi-lingual support in 32 languages is available.



The oil flows separately to the bucket (light blue), arm (dark blue) and boom (yellow) cylinders.

The front attachment moves faster because of the efficient hydraulic circuit.

The pumps are controlled electrically for precise oil flow and lower fuel consumption.

The SCR system injects urea into exhaust gas (red) to reduce nitrous oxide from emissions.



The LCD monitor shows the machine's status and settings.



Reduced fuel consumption due to HIOS III B hydraulic technology.



The SCR system reduces emissions and noise levels.



“ We use all aspects of Hitachi Support Chain, which are incredibly strong and integrate well ”

Edan Cohen, Site Manager, AD Edan Hadash Earthmoving Contractors

REDUCING THE TOTAL COST OF OWNERSHIP



Hitachi has created the Support Chain after-sales programme to ensure optimum efficiency, as well as minimal downtime, reduced running costs and high resale values.

Global e-Service

Hitachi has developed two remote monitoring systems as part of its Global e-Service online application. Owner's Site and ConSite are an integral part of the excavator, which sends operational data daily via GPRS or satellite to www.globaleservice.com. This allows immediate access to the Owner's Site, and the vital information that is required for support on job sites.

Comparing the ratio of operating and non-operating hours helps to enhance efficiency. Effective management of maintenance programmes helps to maximise availability.

Running costs can also be managed by analysing the fuel consumption. The location and movements of each machine are clearly displayed for essential planning.

An automatic service report – ConSite – sends a monthly email summarising the information from Global e-Service for each machine. This includes: daily working hours and fuel consumption data; statistics on the operating mode ratio, plus a comparison for fuel consumption/efficiency, and CO₂ emissions.

Technical support

Each Hitachi service technician receives full technical training from HCME in Amsterdam. These sessions provide access to the same technical knowledge available within the Hitachi quality assurance departments and design centres. Technicians combine this global expertise with the local language and culture of the customer to provide the highest level of after-sales support.

Extended warranty and service contracts

Every new Hitachi Zaxis-6 model is covered by a full manufacturer's warranty. For extra



Global e-Service



Technical support



Hitachi Parts

protection – due to severe working conditions or to minimise equipment repair costs – Hitachi dealers offer a unique extended warranty called HELP (Hitachi Extended Life Program) and comprehensive service contracts. These can help to optimise the performance of each machine, reduce downtime and ensure higher resale values.

Parts

Hitachi offers a wide range and a high availability of parts dispatched from the

53,000 m² HCME European Parts Depot in The Netherlands.

- Hitachi Genuine Parts: allow machines to work for longer, with lower running and maintenance costs.
- Hitachi Select Parts and 2Genuine Parts: especially for older machines, they cost less, are of proven quality and come with the manufacturer's warranty.

- Performance Parts: to cope with highly demanding conditions, they have been engineered for greater durability, better performance or longer life.
- Remanufactured components: offering an economically viable solution, they are the best option when preventative replacements are required.

Whatever the choice, the renowned quality of Hitachi construction machinery is assured.



EH dump trucks



EX ultra-large excavators



ZW wheel loaders



“ We develop construction machinery that contributes to the creation of affluent and comfortable societies ”

Yuichi Tsujimoto, HCM President

BUILDING A BETTER FUTURE

Established in 1910, Hitachi, Ltd. was built upon a founding philosophy of making a positive contribution to society through technology. This is still the inspiration behind the Hitachi group's reliable solutions that answer today's challenges and help to create a better world.

Hitachi, Ltd. is now one of the world's largest corporations, with a vast range of innovative products and services. These have been created to challenge convention, improve social infrastructure and contribute to a sustainable society.

Hitachi Construction Machinery Co., Ltd. (HCM) was founded in 1970 as a subsidiary of Hitachi, Ltd. and has become one of the world's largest construction equipment suppliers. A pioneer in producing hydraulic excavators, HCM also manufactures wheel loaders, rigid dump trucks, crawler cranes and special application machines at state-of-the-art facilities across the globe.

Incorporating advanced technology, Hitachi construction machinery has a reputation for the highest quality standards. Suitable for a wide range of industries, it is always hard at

work around the world – helping to create infrastructure for a safe and comfortable way of living, developing natural resources and supporting disaster relief efforts.

Hitachi Zaxis excavators are renowned for being reliable, durable and versatile – capable of delivering the highest levels of productivity under the most challenging of conditions. They are designed to provide owners with a reduced total cost of ownership, and operators with the ultimate level of comfort and safety.



Mini excavators

SPECIFICATIONS

ENGINE

Model	Isuzu AQ-6UZ1X
Type	4-cycle water-cooled, common rail direct injection
Aspiration	Variable geometry turbocharged, intercooled, cooled EGR
Aftertreatment	DOC and SCR system
No. of cylinders	6
Rated power	
ISO 14396	270 kW at 2 000 min ⁻¹
ISO 9249, net	270 kW at 2 000 min ⁻¹
SAE J1349, net	270 kW at 2 000 min ⁻¹
Maximum torque	1 435 Nm at 1 500 min ⁻¹
Piston displacement	9.839 L
Bore and stroke	120 mm x 145 mm
Batteries	2 x 12 V / 170 Ah

HYDRAULIC SYSTEM

Hydraulic Pumps

Main pumps	2 variable displacement axial piston pumps
Maximum oil flow	2 x 400 L/min
Pilot pump	1 gear pump
Maximum oil flow	34 L/min

Hydraulic Motors

Travel	2 variable displacement axial piston motors
Swing	2 axial piston motors

Relief Valve Settings

Implement circuit	31.9 MPa
Swing circuit	28.4 MPa
Travel circuit	35.3 MPa
Pilot circuit	3.9 MPa
Power boost	35.3 MPa

Hydraulic Cylinders

	Quantity	Bore	Rod diameter
Boom	2	170 mm	115 mm
Arm	1	190 mm	130 mm
Bucket	1	170 mm	120 mm

UPPERSTRUCTURE

Revolving Frame

D-section frame for resistance to deformation.

Swing Device

Axial piston motor with planetary reduction gear is bathed in oil. Swing parking brake is spring-set/hydraulic-released disc type.

Swing speed	9.5 min ⁻¹
Swing torque	148 kNm

Operator's Cab

Independent spacious cab, 1 025 mm wide by 1 675 mm high, conforming to ISO* Standards.

* International Organization for Standardization

UNDERCARRIAGE

Tracks

Track shoes with triple grousers made of induction-hardened rolled alloy. Heat-treated connecting pins with dirt seals. Hydraulic (grease) track adjusters with shock-absorbing recoil springs.

Numbers of Rollers and Shoes on Each Side

Upper rollers	3
Lower rollers	9
Track shoes	53
Track guards	2

Travel Device

Each track driven by axial piston motor through reduction gear for counterrotation of the tracks. Parking brake is spring-set/hydraulic-released disc type.

Automatic transmission system: High-Low.

Travel speeds	High : 0 to 5.5 km/h
	Low : 0 to 3.9 km/h

Maximum traction

force	329 kN
-------------	--------

Gradeability	70% (35 degree) continuous
--------------------	----------------------------

SOUND LEVEL

Sound level in cab according to ISO 6396 LpA 71 dB(A)

External sound level according to ISO 6395 and

EU Directive 2000/14/EC LwA 107 dB(A)

SERVICE REFILL CAPACITIES

Fuel tank	675.0 L
Engine coolant	62.0 L
Engine oil	41.0 L
Swing device (each side)	6.5 L
Travel device (each side)	11.0 L
Hydraulic system	510.0 L
Hydraulic oil tank	310.0 L
DEF/AdBlue® tank	95.0 L

WEIGHTS AND GROUND PRESSURE

Operating Weight and Ground Pressure

Boom type	Arm type	Shoe grouser type	Shoe width	Operating weight	Ground pressure
7.0 m H	3.4 m H	Triple or double	600 mm	49 400 kg	84 kPa
		Triple	750 mm	50 200 kg	68 kPa
		Triple	900 mm	50 900 kg	58 kPa

Including 2.1 m³ rock bucket (ISO heaped)

Boom type	Arm type	Shoe grouser type	Shoe width	Operating weight	Ground pressure
7.0 m H	2.9 m BE	Triple or double	600 mm	49 300 kg	84 kPa
		Triple	750 mm	50 100 kg	68 kPa
		Triple	900 mm	50 800 kg	57 kPa

Including 2.1 m³ rock bucket (ISO heaped)

Boom type	Arm type	Shoe grouser type	Shoe width	Operating weight	Ground pressure
6.3 m BE	2.5 m BE	Triple or double	600 mm	49 700 kg	84 kPa
		Triple	750 mm	50 500 kg	68 kPa
		Triple	900 mm	51 200 kg	58 kPa

Including 2.5 m³ rock bucket (ISO heaped)

Boom type	Arm type	Shoe grouser type	Shoe width	Operating weight	Ground pressure
6.3 m BE	2.9 m BE	Triple or double	600 mm	49 600 kg	84 kPa
		Triple	750 mm	50 400 kg	68 kPa
		Triple	900 mm	51 000 kg	58 kPa

Including 2.5 m³ rock bucket (ISO heaped)

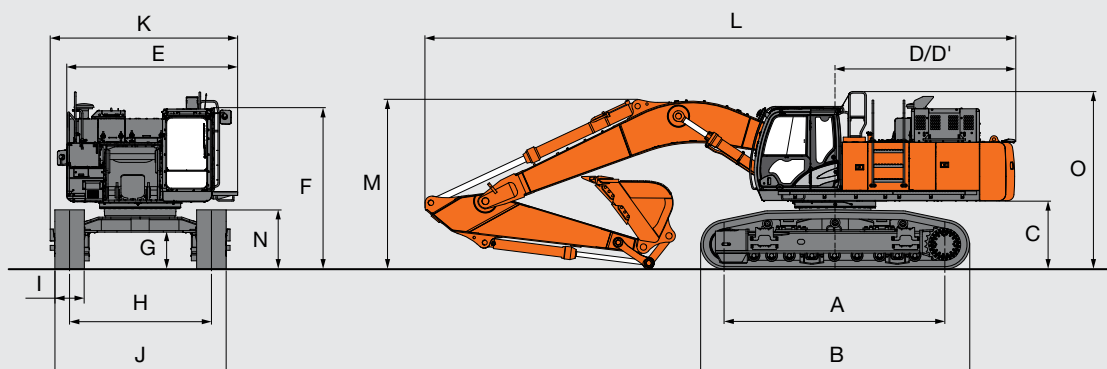
BUCKET AND ARM DIGGING FORCE

Boom length	ZAXIS 490LCH			
	Boom 6.3 m BE		Boom 7.0 m H	
	Arm 2.5 m BE	Arm 2.9 m BE	Arm 2.9 m BE	Arm 3.4 m H
Bucket digging force* ISO	295 kN			296 kN
Bucket digging force* SAE : PCSA	266 kN			257 kN
Arm crowd force* ISO	302 kN	263 kN		224 kN
Arm crowd force* SAE : PCSA	294 kN	256 kN		215 kN

* At power boost

SPECIFICATIONS

DIMENSIONS



Unit: mm

	ZAXIS 490LCH ²		
A Distance between tumblers	4 470		
B Undercarriage length	5 470		
¹ C Counterweight clearance	1 360		
D Rear-end swing radius	3 670		
D' Rear-end length	3 660		
E Overall width of upperstructure	3 480		
F Overall height of cab	3 330		
¹ G Min. ground clearance	737		
H Track gauge : Extended / Retracted	2 890 / 2 390		
I Track shoe width	G 600		
J Undercarriage width : Extended / Retracted	G 600 3 490 / 2 990	G 750 3 640 / 3 140	G 900 3 790 / 3 290
K Overall width	3 820		
L Overall length	12 010		
M Overall height of boom	3 480		
N Track height	1 220		
O Overall height of base machine	3 530		

¹ Excluding track shoe lug G: Grouser shoe

² Equipped with H-boom 7.8 m and H-arm 3.4 m

Backhoe Buckets

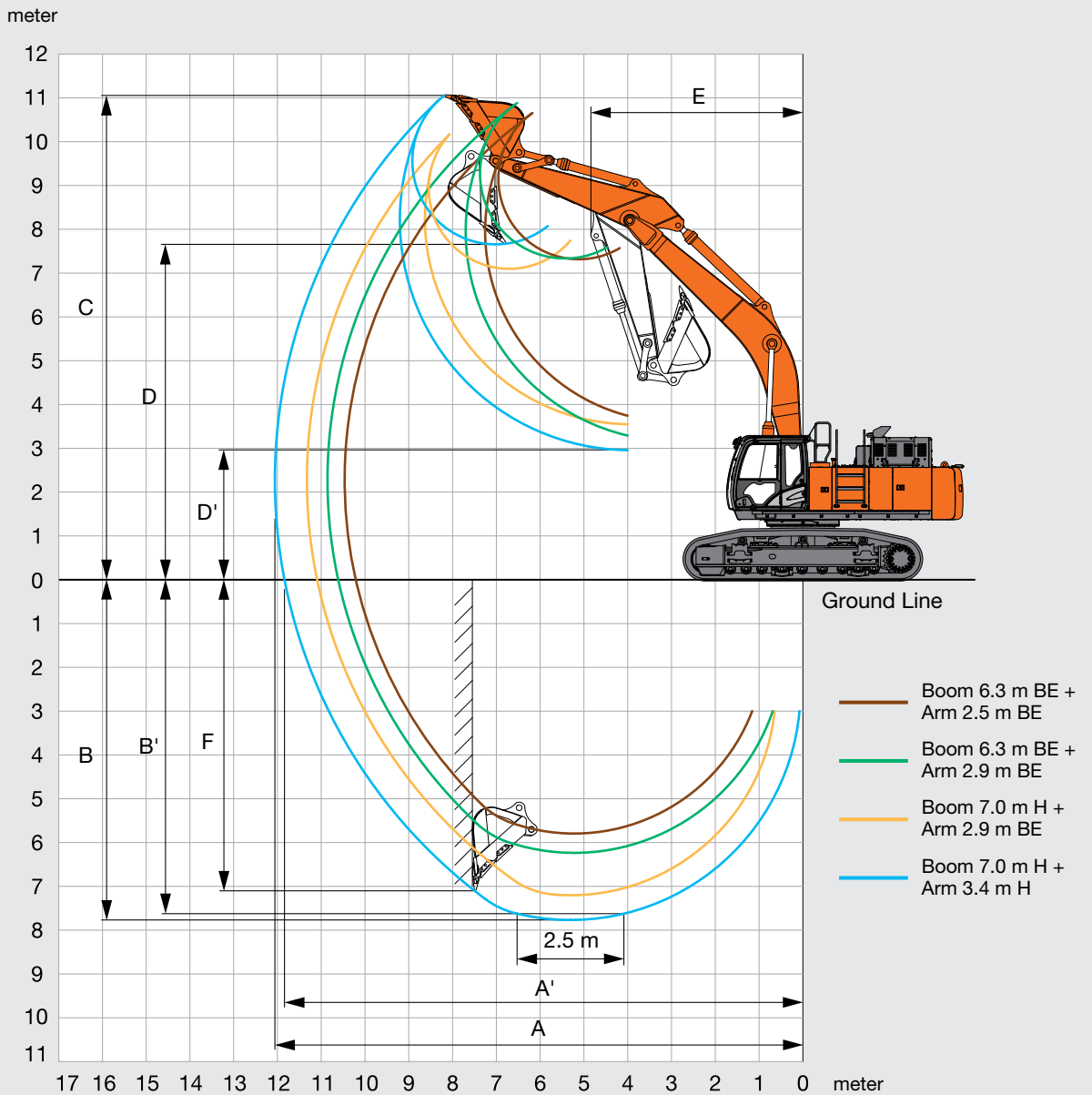
Capacity		Width		No. of teeth	Weight	Recommendation			
ISO heaped	CECE heaped	Without side cutters	With side cutters			ZAXIS 490LCH			
						Boom 6.3 m BE		Boom 7.0 m H	
				Arm 2.5 m BE	Arm 2.9 m BE	Arm 2.9 m BE	Arm 3.4 m H		
¹ 1.9 m ³	1.7 m ³	1 480 mm	1 500 mm	5	2 070 kg	●	●	●	●
¹ 2.1 m ³	1.8 m ³	1 560 mm	1 580 mm	5	2 170 kg	●	●	●	●
¹ 2.3 m ³	2.0 m ³	1 680 mm	1 700 mm	5	2 260 kg	●	●	–	–
¹ 2.5 m ³	2.2 m ³	1 800 mm	1 820 mm	5	2 360 kg	●	●	–	–
² 1.3 m ³	1.2 m ³	1 170 mm	–	3	2 330 kg	●	●	●	●
One-point ripper				1	1 260 kg	●	●	●	●

¹ Rock bucket ● Heavy-duty service

² Ripper bucket – Not applicable

● Heavy-duty service
– Not applicable

WORKING RANGES



Unit: mm

Arm length	ZAXIS 490LCH			
	Boom 6.3 m BE		Boom 7.0 m H	
	Arm 2.5 m BE	Arm 2.9 m BE	Arm 2.9 m BE	Arm 3.4 m H
A Max. digging reach	10 460	10 750	11 330	12 060
A' Max. digging reach (on ground)	10 210	10 500	11 090	11 840
B Max. digging depth	5 790	6 130	7 200	7 770
B' Max. digging depth for 2.5 m level	5 620	5 970	7 000	7 630
C Max. cutting height	10 660	10 790	10 170	11 060
D Max. dumping height	7 320	7 440	7 100	7 650
D' Min. dumping height	3 670	3 250	3 520	2 940
E Min. swing radius	4 090	3 930	5 020	4 840
F Max. vertical wall	4 260	4 650	4 270	7 100

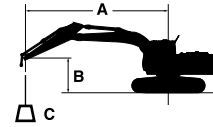
Excluding track shoe lug

LIFTING CAPACITIES

Notes: 1. Ratings are based on ISO 10567.

2. Lifting capacity does not exceed 75% of tipping load with the machine on firm, level ground or 87% full hydraulic capacity.
3. The load point is the center-line of the bucket pivot mounting pin on the arm.
4. *Indicates load limited by hydraulic capacity.
5. 0 m = Ground.

For lifting capacities, subtract bucket and quick hitch weight from lifting capacities.



A: Load radius
B: Load point height
C: Lifting capacity

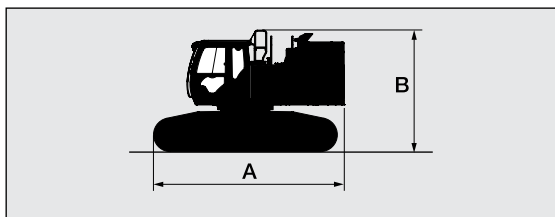
ZAXIS 490LCH

Rating over-front Rating over-side or 360 degrees Unit : kg

Conditions	Load point height m	Load radius										At max. reach		
		3.0 m		4.5 m		6.0 m		7.5 m		9.0 m				meter
Boom 7.0 m H Arm 3.4 m H Counterweight 9 080 kg Shoe 600 mm	7.5							*11 640	11 460			*7 710	*7 710	8.7
	6.0							*12 260	11 200	*10 920	8 330	*7 590	*7 590	9.4
	4.5			*20 820	*20 820	*15 830	15 090	*13 320	10 790	*11 870	8 150	*7 690	6 960	9.9
	3.0			*23 560	21 480	*18 040	14 220	*14 500	10 330	*12 460	7 900	*8 010	6 580	10.1
	1.5			*15 310	*15 310	*19 670	13 540	*15 480	9 930	12 250	7 680	*8 580	6 470	10.1
	0 (Ground)			*18 350	*18 350	*20 330	13 130	15 800	9 650	12 070	7 510	*9 490	6 600	9.9
	-1.5	*13 430	*13 430	*25 370	20 030	*19 970	12 990	15 650	9 520	12 010	7 460	*10 970	7 030	9.4
	-3.0	*21 880	*21 880	*23 700	20 220	*18 540	13 040	*14 650	9 560			*11 900	7 940	8.7
	-4.5	*24 740	*24 740	*19 780	*19 780	*15 620	13 310	*11 580	9 830			*11 530	9 800	7.5
Boom 7.0 m H Arm 2.9 m BE Counterweight 9 080 kg Shoe 600 mm	7.5													
	6.0					*14 570	*14 570	*12 840	11 000			*11 040	8 600	8.7
	4.5			*22 370	*22 370	*16 570	14 740	*13 800	10 590	*12 260	8 000	*11 440	7 690	9.2
	3.0					*18 690	13 880	*14 850	10 140	12 380	7 780	*11 450	7 210	9.5
	1.5					*19 900	13 260	*15 650	9 770	12 150	7 580	*11 290	7 060	9.5
	0 (Ground)			*19 760	*19 760	*20 190	12 940	15 670	9 530	12 010	7 450	*11 630	7 230	9.2
	-1.5	*16 120	*16 120	*24 850	19 920	*19 480	12 870	*15 470	9 460			12 600	7 790	8.7
	-3.0	*26 480	*26 480	*22 100	20 200	*17 640	13 010	*13 860	9 570			*12 940	9 010	7.9
	-4.5			*17 630	*17 630	*14 010	13 390					*12 430	11 780	6.6
Boom 6.3 m BE Arm 2.9 m BE Counterweight 9 080 kg Shoe 600 mm	7.5					*14 000	*14 000					*7 980	*7 980	7.2
	6.0					*14 870	*14 870	*13 590	11 090			*7 750	*7 750	8.1
	4.5			*21 170	*21 170	*16 610	15 200	*14 290	10 790			*7 850	*7 850	8.6
	3.0			*25 410	21 960	*18 590	14 400	*15 220	10 410			*8 230	8 060	8.9
	1.5			*27 710	20 810	*20 070	13 750	*15 990	10 050			*8 940	7 910	8.9
	0 (Ground)			*27 650	20 400	*20 550	13 370	16 010	9 820			*10 170	8 140	8.6
	-1.5	*24 230	*24 230	*25 930	20 400	*19 780	13 270	*15 400	9 770			*12 350	8 900	8.1
	-3.0	*28 670	*28 670	*22 490	20 680	*17 350	13 420					*13 630	10 600	7.2
	-4.5													
Boom 6.3 m BE Arm 2.5 m BE Counterweight 9 080 kg Shoe 600 mm	7.5					*14 660	*14 660					*12 280	*12 280	6.8
	6.0					*15 410	*15 410	*14 050	10 900			*11 890	10 260	7.8
	4.5			*22 060	*22 060	*17 050	14 930	*14 590	10 620			*12 020	8 980	8.3
	3.0					*18 890	14 150	*15 410	10 250			*12 600	8 360	8.6
	1.5					*20 170	13 530	*16 030	9 920			13 150	8 200	8.6
	0 (Ground)			*27 110	20 200	*20 370	13 210	15 910	9 720			13 680	8 480	8.3
	-1.5			*24 990	20 290	*19 290	13 170	*14 860	9 730			*14 110	9 350	7.7
	-3.0			*21 130	20 650	*16 350	13 400					*13 640	11 370	6.8
	-4.5													
Boom 7.0 m BE Arm 3.4 m H Counterweight 9 080 kg Shoe 600 mm	7.5							*11 640	*11 640			*7 710	*7 710	8.7
	6.0							*12 260	11 480	*10 920	8 560	*7 590	*7 590	9.4
	4.5			*20 820	*20 820	*15 830	15 460	*13 320	11 070	*11 870	8 370	*7 690	7 160	9.9
	3.0			*23 560	22 050	*18 040	14 600	*14 500	10 610	*12 460	8 130	*8 010	6 780	10.1
	1.5			*15 310	*15 310	*19 670	13 910	*15 480	10 210	12 630	7 900	*8 580	6 660	10.1
	0 (Ground)			*18 350	*18 350	*20 330	13 510	*15 980	9 930	12 450	7 740	*9 490	6 800	9.9
	-1.5	*13 430	*13 430	*25 370	20 590	*19 970	13 360	*15 790	9 800	12 380	7 680	*10 970	7 250	9.4
	-3.0	*21 880	*21 880	*23 700	20 790	*18 540	13 420	*14 650	9 840			*11 900	8 180	8.7
	-4.5	*24 740	*24 740	*19 780	*19 780	*15 620	13 680	*11 580	10 110			*11 530	10 090	7.5

TRANSPORTATION

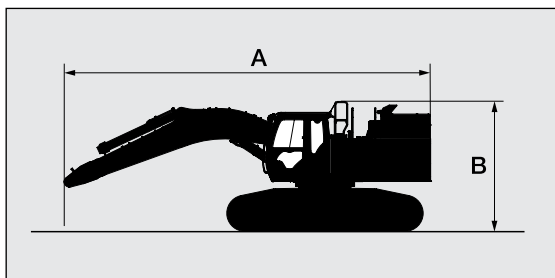
BASIC MACHINE (WITHOUT COUNTERWEIGHT)



Shoe width	A	B	Overall width ¹	Weight
600 mm	5 690 mm	3 530 mm	2 990 mm	29 400 kg
750 mm			3 140 mm	30 200 kg
900 mm			3 290 mm	30 900 kg

¹ Undercarriage retracted

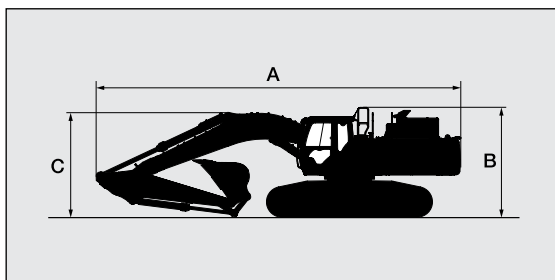
BASIC MACHINE FITTED WITH BOOM AND NO SIDEWALK



Boom length	Shoe width	A	B	Overall width ¹	Weight
6.3 m BE	600 mm	9 150 mm	3 530 mm	2 990 mm	34 800 kg
	750 mm			3 140 mm	35 600 kg
	900 mm			3 290 mm	36 300 kg
7.0 m H	600 mm	9 910 mm	3 530 mm	2 990 mm	34 700 kg
	750 mm			3 140 mm	35 500 kg
	900 mm			3 290 mm	36 200 kg

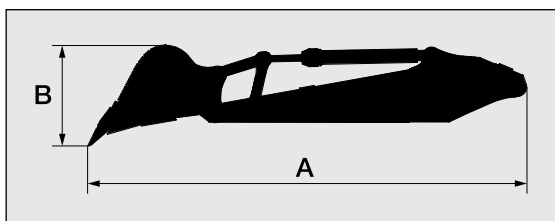
¹ Undercarriage retracted

BASIC MACHINE FITTED WITH FRONT AND SIDEWALK



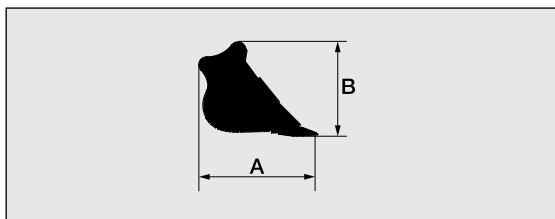
Boom length	6.3 m BE		7.0 m H	
	2.5 m BE	2.9 m BE	2.9 m BE	3.4 m H
Arm length				
A	11 660 mm	11 320 mm	12 100 mm	12 010 mm
B	3 530 mm			
C	4 300 mm	3 740 mm	3 600 mm	3 480 mm

ARM AND BUCKET



Arm	Bucket		A	B	Overall width	Weight
	ISO heaped	CECE heaped				
2.5 BE	2.5 m ³	2.2 m ³	5 650 mm	1 470 mm	1 820 mm	5 000 kg
2.9 BE	2.3 m ³	2.0 m ³	6 030 mm	1 340 mm	1 700 mm	4 800 kg
3.4 H	1.9 m ³	1.7 m ³	6 370 mm	1 470 mm	1 500 mm	4 800 kg

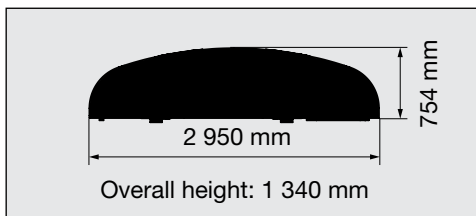
BUCKET



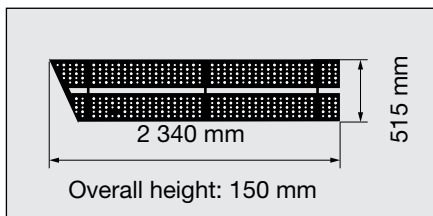
Rock bucket

Bucket		A	B	Overall width	Weight
ISO heaped	CECE heaped				
1.9 m ³	1.7 m ³	2 030 mm	1 480 mm	1 500 mm	2 070 kg
2.1 m ³	1.8 m ³	1 950 mm	1 650 mm	1 580 mm	2 170 kg
2.3 m ³	2.0 m ³	1 950 mm	1 650 mm	1 700 mm	2 260 kg
2.5 m ³	2.2 m ³	1 950 mm	1 650 mm	1 820 mm	2 360 kg

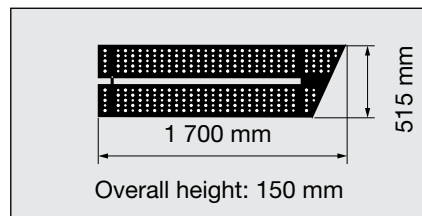
COUNTERWEIGHT 9 080 kg



LEFT FRONT SIDEWALK 44 kg



LEFT REAR SIDEWALK 30 kg



EQUIPMENT

ENGINE

Aftertreatment device	●
Air cleaner double filters	●
Alternator 50 A	●
Auto idle system	●
Auto shut-down control	●
Cartridge-type engine oil filter	●
Cartridge-type fuel main filter	●
DEF/AdBlue® tank inlet strainer and extension filter	●
DEF/AdBlue® tank with ISO magnet adapter	●
Dry-type air filter with evacuator valve (with air filter restriction indicator)	●
Dust-proof net	●
Electrical fuel feed pump	●
Engine oil drain coupler	●
Expansion tank	●
Fan guard	●
Fuel cooler	●
Fuel pre-filter	●
Isolation-mounted engine	●
Maintenance free pre-cleaner	○
Power mode control [H/P (High Power) PWR (Power) ECO (Economy)]	●
Radiator, oil cooler and intercooler	●
Water separator	●

HYDRAULIC SYSTEM

Auto power lift	●
Boom mode selector system	●
Control valve with main relief valve	●
Drain filter	●
Engine speed sensing system	●
Extra port for control valve	●
Full-flow filter	●
Hose rupture valve for arm	●
Hose rupture valve for boom	●
Pilot filter	●
Power boost	●
Quick warm-up system for pilot circuit	●
Shockless valve in pilot circuit	●
Suction filter	●
Work mode selector	●

CAB

All-weather sound suppressed steel cab	●
AM-FM radio	●
Ashtray	●
Auto control air conditioner	●
AUX terminal and storage	●
Cigarette lighter 24 V	●
Drink holder with hot & cool function	●
Electric double horn	●
Engine shut-off switch	●
Equipped with reinforced, tinted (green color) glass windows	●
Evacuation hammer	●
Fire extinguisher bracket	○
Floor mat	●
Footrest	●
Front window washer	●
Glove compartment	●
Hot & cool box	●
Intermittent windshield wipers	●
Key cylinder light	●
Laminated round glass front window	●
LED room light with door courtesy	●
OPG front guard Level II (ISO10262) compliant cab	○
OPG top guard Level I (ISO10262) compliant cab	●
OPG top guard Level II (ISO10262) compliant cab	○
Pilot control shut-off lever	●
Power outlet 12 V	○
Rain guard	○
Rear tray	●
Retractable seat belt	●
ROPS (ISO12117-2) compliant cab	●
Rubber radio antenna	●
Seat : air suspension seat with heater	●
Seat adjustment part : backrest, armrest, height and angle, slide forward / back	●
Short wrist control levers	●
Sun visor (front window/side window)	○
Transparent roof with slide curtain	●
Windows on front, upper, lower and left side can be opened	●
2 speakers	●
6 fluid-filled elastic mounts	●

MONITOR SYSTEM

Alarms: overheat, engine warning, engine oil pressure, alternator, minimum fuel level, hydraulic filter restriction, air filter restriction, work mode, overload, SCR system trouble, etc	●
Alarm buzzers: overheat, engine oil pressure, overload, SCR system trouble	●
Display of meters: water temperature, hour, fuel rate, clock, DEF/AdBlue® rate	●
Other displays: work mode, auto-idle, glow, rearview monitor, operating conditions, etc	●
32 languages selection	●

LIGHTS

Additional boom light with cover	○
Additional cab roof front lights	○
Additional cab roof rear lights	○
Rotating lamp	○
2 working lights	●

UPPER STRUCTURE

Batteries 2 x 170 Ah	●
Battery disconnect switch	●
Body top handrail	●
Counterweight 9 080 kg	●
Electric fuel refilling pump with auto stop and filter	●
Electrical grease pump with hose- reel	●
Fuel level float	●
Hydraulic oil level gauge	●
Ladder	●
Lockable fuel refilling cap	●
Lockable machine covers	●
Lockable tool box	●
Platform handrail	●
Rear view camera	●
Rear view mirror (right & left side)	●
Sidewalk (cab side)	●
Skid-resistant plates and handrails	●
Swing parking brake	●
Undercover	●
Utility space	●

● : Standard equipment

○ : Optional equipment

UNDERCARRIAGE

Bolt-on sprocket	●
Reinforced track links with pin seals	●
Shoe: 600 mm double grouser	○
Shoe: 600 mm triple grouser	●
Shoe: 750 mm triple grouser	○
Shoe: 900 mm triple grouser	○
Track undercover	○
Travel direction mark on track frame	●
Travel motor covers	●
Travel parking brake	●
Upper and lower rollers	●
2 track guards (each side) and hydraulic track adjuster	●
4 tie down hooks	●

FRONT ATTACHMENTS

Arm 2.5 m BE	○
Arm 2.9 m BE	○
Arm 3.4 m H	●
Boom 6.3 m BE	○
Boom 7.0 m H	●
Centralized lubrication system	●
Damage prevention plate and square bars	●
Dirt seal on all bucket pins	●
Flanged pin	●
Reinforced welded link A	●
Reinforced link B	●

ATTACHMENTS

Accessories for breaker	●
Accessories for breaker & crusher	●
Accessories for 2 speed selector	●
Attachment basic piping	●

MISCELLANEOUS

Global e-Service	●
Onboard information controller	●
Standard tool kit	●
Theft prevention system*	○

Standard and optional equipment may vary by country, so please consult your Hitachi dealer for details.

* Hitachi Construction Machinery cannot be held liable for theft, any system will just minimize the risk of theft.

Prior to operating this machine, including satellite communication system, in a country other than a country of its intended use, it may be necessary to make modifications to it so that it complies with the local regulatory standards (including safety standards) and legal requirements of that particular country. Please do not export or operate this machine outside the country of its intended use until such compliance has been confirmed. Please contact your Hitachi dealer in case of questions about compliance.

These specifications are subject to change without notice. Illustrations and photos show the standard models, and may or may not include optional equipment, accessories, and all standard equipment with some differences in color and features. Before use, read and understand the Operator's Manual for proper operation.

